

OPERATOR'S MANUAL

HSF 600W POWER SUPPLY

**SINGLE OUTPUT POWER SUPPLIES
SINGLE PHASE, POWER FACTOR CORRECTED
UNIVERSAL AC INPUT**

KEPCO INC.
An ISO 9001 Company.



**MODEL
HSF 600W
POWER SUPPLY**

**HSF 12-53, HSF 15-43, HSF 24-27,
HSF 28-23, HSF 48-13**

IMPORTANT NOTES:

- 1) This manual is valid for the following Model and associated serial numbers:

MODEL	SERIAL NO.	REV. NO.
HSF 600W		

- 2) A Change Page may be included at the end of the manual. All applicable changes and revision number changes are documented with reference to the equipment serial numbers. Before using this Instruction Manual, check your equipment serial number to identify your model. If in doubt, contact your nearest Kepco Representative, or the Kepco Documentation Office in New York, (718) 461-7000, requesting the correct revision for your particular model and serial number.
- 3) The contents of this manual are protected by copyright. Reproduction of any part can be made only with the specific written permission of Kepco, Inc.

Data subject to change without notice.

©2007, KEPCO, INC
P/N 228-1588-d



KEPCO, INC. • 131-38 SANFORD AVENUE • FLUSHING, NY. 11355 U.S.A. • TEL (718) 461-7000 • FAX (718) 767-1102
email: hq@kepcopower.com • World Wide Web: <http://www.kepcopower.com>

TABLE OF CONTENTS

SECTION	PAGE
1. Introduction.....	1
1.1 Scope of Manual.....	1
1.2 Description.....	1
2. Specifications.....	2
3. Features.....	5
3.1 DIP Switch Configuration.....	5
3.2 Front Panel Access.....	6
3.3 Keying.....	6
3.4 Output Voltage Control.....	7
3.4.1 Front Panel Voltage Control.....	7
3.4.2 Remote Voltage Control.....	7
3.5 Remote On-Off.....	9
3.6 Protection Circuits.....	9
3.6.1 Overvoltage And Overtemperature Protection.....	9
3.6.2 Overcurrent Setting and Protection.....	9
3.6.3 Fan Failure.....	10
3.6.4 Undervoltage.....	10
3.7 Alarm Settings.....	10
3.7.1 Visual Alarm.....	10
3.7.2 Alarm Signals.....	10
3.7.2.1 Internal Isolated Relay Alarm.....	10
3.7.2.2 Optically-Coupled Logical Alarm.....	10
3.8 Local/remote Sensing.....	12
3.9 Retaining Latches.....	12
4. Load Connection.....	12
5. Connecting Multiple Power Supplies.....	12

LIST OF FIGURES

FIGURE	TITLE	PAGE
1	HSF Rear Panel Connector and RA 19-4C Rack Adapter I/O Connector.....	1
2	Power Rating Vs. Temperature.....	3
3	Mechanical Outline Drawing Of The HSF 600W Power Supply.....	5
4	DIP Switch Configuration.....	6
5	Front Panel Controls, Indicators and tEST pOINTS.....	7
6	DIP Switch Settings for Control of Output Voltage.....	8
7	Connections For Remote Voltage Control.....	8
8	DIP Switch Settings for Using RESET button or Remote ON-OFF.....	9
9	DIP switch settings for Optically Coupled Logical Alarm.....	11
10	Output Alarm Circuit Optically Isolated.....	11
11	±PF Power Failure Optocoupler Timing Diagram.....	11

LIST OF TABLES

TABLE	TITLE	PAGE
1	HSF Rear Connector Pin Assignments.....	1
2	Output Ratings and Specifications.....	2
3	Power Supply Ratings and Specifications.....	3
4	Minimum Conditions for Relay and LED Operation.....	8

1. INTRODUCTION

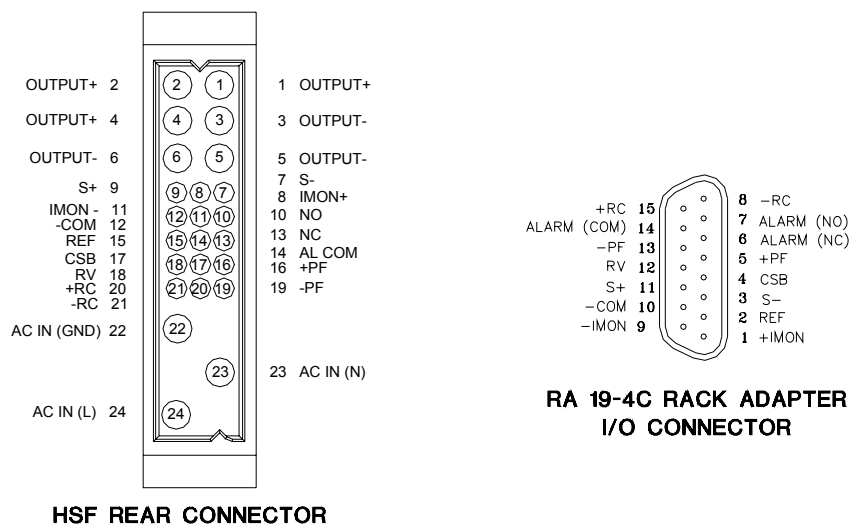
1.1 SCOPE OF MANUAL

This Operator's Manual covers the installation and operation of the Kepco HSF 600W Series of Switching Power Supplies. For service information, write directly to: Kepco Inc., 131-38 Sanford Avenue, Flushing, New York, 11355, U.S.A. Please state Model Designation and Serial Number of your HSF Power Supply. This information can be found on the nameplate of the unit.

1.2 DESCRIPTION

The Kepco HSF 600 Watt Series are hot swappable, high frequency switching, plug-in power supplies. Five models may be selected for outputs of 12V, 15V, 24V, 28V or 48V. They employ forward conversion and power factor correction and are designed to operate in a fault tolerant power system with a nominal a-c input of 100V a-c to 240V a-c (input voltage range 85 to 265 Va-c), 50-60 Hz (input frequency range 47-66Hz). A built-in current balancing circuit and OR-ing diodes allow configuration for hot-swap and parallel-redundant N+1 operation.

These power supplies are designed to be used with Kepco's Series RA 19-4C rack adapters. The RA 19-4C rack adapter accepts up to four 600W modules. All input/output connections are through a 24-pin connector that plugs in to the rack adapter. All external connections described in the following paragraphs are made through the rack adapter's I/O connector (see Figure 1).



3042951

FIGURE 1. HSF REAR PANEL CONNECTOR AND RA 19-4C RACK ADAPTER I/O CONNECTOR

TABLE 1. HSF REAR CONNECTOR PIN ASSIGNMENTS

Signal Name	Pin	Function
Output +	1, 2, 4	DC output (+) applied to load.
Output -	3, 5, 6	DC Output (-) applied to load.
SENSE-	7	Sense- connection
IMON+	8	Current Monitor+ (not used).
SENSE+	9	Sense+ connection
NO	10	Normally Open contact of alarm relay, referenced to AL COM, pin 14 (see PAR. 3.7.2).
IMON-	11	Current Monitor- (not used).
-COM	12	-Signal Common provides return for REF, pin 15, and RV, pin 18, signals.
NC	13	Normally Closed contact of alarm relay, referenced to AL COM, pin 14 (see PAR. 3.7.2).
AL COM	14	Common contact of alarm relay (see PAR. 3.7.2).

TABLE 1. HSF REAR CONNECTOR PIN ASSIGNMENTS (CONTINUED)

Signal Name	Pin	Function
REF	15	Reference voltage. When used with RV, pin 18, allows all output voltages of paralleled slave supplies to be controlled by one voltage adjustment of a master power supply. When REF is connected to RV via an external trimmer, the external trimmer determines output voltage (see PAR. 3.4.2). Connections are made via DIP switches (see PAR. 3.1).
+PF	16	+Power Fail of open-collector alarm circuit. Used with –PF, pin 19 (see PAR. 3.7.2).
CSB	17	Current Share Bus - Used whenever several power supplies are connected in parallel (see PAR. 5.).
RV	18	Remote Voltage - Used with REF, pin 15, for remotely controlling the output voltage (see PAR. 3.4.2)
–PF	19	–Power Fail of open-collector alarm circuit. Used with +PF, pin 16 (see PAR. 3.7.2).
+RC	20	+Remote On-off used with –RC, pin 21, to allow remote turn-on turn-off of the unit (see PAR. 3.5)
–RC	21	–Remote On-off used with +RC, pin 20, to allow remote turn-on turn-off of the unit (see PAR. 3.5)
GND	22	AC input ground
N	23	AC Input neutral
L	24	AC input line

2. SPECIFICATIONS

Table 2 contains specifications and operating limits of individual HSF 600W Series models. Table 3 contains specifications and operating limits common to all HSF 600W Series Models. These specifications are at nominal input voltages at 25°C unless otherwise specified.

TABLE 2. OUTPUT RATINGS AND SPECIFICATIONS

MODEL		HSF 12-53	HSF 15-43	HSF 24-27	HSF 28-23	HSF 48-13
Output Volts d-c (nominal) ⁽⁵⁾		12	15	24	28	48
Output Adjustment Range ⁽⁵⁾⁽⁶⁾	Using front panel trim pot or external 5K ohm Trimpot (Volts d-c)	0 - 13.8 (min)	0 - 17.4 (min)	0 - 28.2 (min)	0 - 33 (min)	0 - 52.2 (min)
	Using Voltage source (% of nominal)	0 - 120	0 - 120	0 - 120	0 - 120	0 - 110
	Voltage source range (Volts d-c)	0 - 6	0 - 6	0 - 6	0 - 6	0 - 5.5
Output Current (nominal) (Amps d-c)		53	43	27	23	13
Maximum Output Ratings ⁽⁴⁾	Amps d-c	53	43	27	23	13
	Watts	636	645	648	644	624
Overcurrent Setting (Amps d-c) ⁽¹⁾		55.6-68.9	45.1-55.9	28.3-35.1	24.1-29.8	13.7-16.9
Short Circuit Current (Amps d-c)		65	55	35	29	19
Overvoltage Protection (OVP) (Volts d-c) ⁽²⁾		14.3-16.3	18.7-20.5	29.3-33.1	34.2-38.7	55.0-55.4
Efficiency % typical	AC Input 100V	80	81	82	82	84
	AC Input 200V	84	85	86	86	87
Power Factor (typ.)	AC Input 100V	0.99	0.99	0.99	0.99	0.99
	AC Input 200V	0.95	0.95	0.95	0.95	0.95
Ripple & Noise ⁽³⁾ (mV, p-p)	ripple	180	180	220	220	220
	ripple noise	220	220	320	320	320

- (1) Square type. After cause is removed, output voltage restored automatically.
- (2) When overvoltage is detected, output is shut OFF. Recovery is by removing power and reapplying power after approximately 30 seconds or by opening and reclosing the RC terminals .
- (3) Ripple and noise levels above are satisfied when conditions are 0 to 100% load, 0 to 40°C (load is derated from 40 to 55°C, see Figure 2), and bandwidth $\leq 100\text{MHz}$.
- (4) See Figure 2 for power derating.
- (5) Refer to Table 4 for minimum conditions required to maintain proper operation of alarm relay and visual LED indicator.
- (6) 0V output refers to logic 0: 0-0.4V d-c

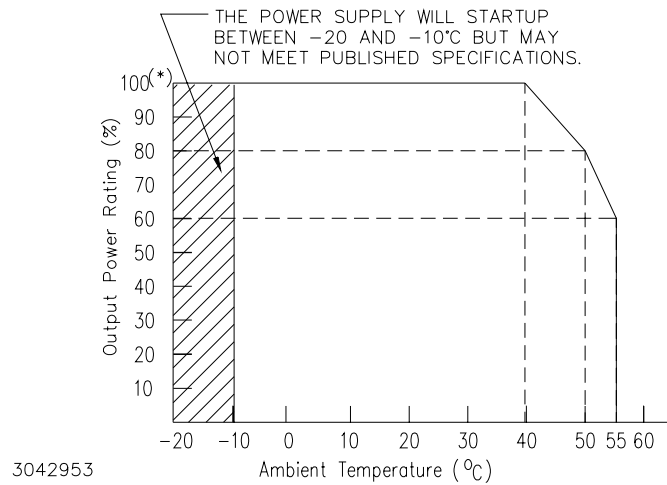


FIGURE 2. POWER RATING VS. TEMPERATURE

TABLE 3. POWER SUPPLY RATINGS AND SPECIFICATIONS

CHARACTERISTIC	SPECIFICATION	CONDITION/NOTES
Input Voltage	Nominal: 100-120V a-c, 200-240V a-c Range: 85-265V a-c , 110-370V d-c	(0 to 100% load, -10 to 40°C)
Input Source Frequency	Nominal: 50-60 Hz, Range: 47-66 Hz	(0 to 100% load, -10 to 40°C)
Input Current: (Maximum Load At 25°C with Nominal Output Voltage)	8.4A rms max.	100 - 120V a-c
	4.2A rms max.	200 - 240V a-c
Switching Frequency	140KHz typ.	Forward Converter
Input Protection	A limiting resistor in series with a resistor fuse (and thyristor circuit) reduces start-up surge. The internal power supply is protected against shorts by an input fuse. Fuse value 15.0A at 250 Volts	
Input Surge cold start, interval > 30 sec (First surge only, not including current flow into EMI filter)	15A typ., 30A max. first surge	100 - 120V ac
	30A typ., 60 max. first surge	200- 240 V ac
Leakage Current:	0.45mA typ., 0.75mA max.	120V a-c, 60Hz per IEC 950 and UL1950
	0.60mA typ., 0.75mA max.	240V a-c, 60Hz per IEC 950 and UL1950
Power Factor	0.99 typical	100V a-c, max load, nominal output, per EN 61000-3-2
	0.95 typical	200V a-c, max load, nominal output per EN 61000-3-2
Transient Recovery excursion characteristic	±4% maximum	50% to 100% load, transient time >50µsec
	recovery time 1 ms maximum	
Stabilization	Source Effect (min - max) ±0.1% Typical, ±0.2% Maximum	85 to 132V a-c, 170 to 265V a-c
	Load Effect ±0.3% Typical, ±0.6% Maximum	0%-100% load change
	Temperature Effect ±0.5% Typical, ±1.0% Maximum	-10° to 40°C
	Combined Effect ±0.9% Typical, ±1.8% Maximum	Source, Load and Temperature
	Time Effect 0.2% Typical, 0.5% Maximum	1/2 to 8 hours at 25°C
Start-up Time	280 msec Typical, 350 msec Maximum	100V a-c
	100 msec Typical, 150 msec Maximum	240V a-c
Output Hold-up Time	30 msec Typical, 20 msec Minimum.	100V a-c
	40 msec Typical, 20 msec Minimum.	240V a-c

TABLE 3. POWER SUPPLY RATINGS AND SPECIFICATIONS (CONTINUED)

CHARACTERISTIC	SPECIFICATION	CONDITION/NOTES
Overvoltage Protection	When the Power Supply goes into an overvoltage condition, the output is cut OFF. See PAR. 3.6.1.	
Remote Control ON/OFF:	±RC pins control on/off as follows: "High", 2.4V to 24V (or open), unit OFF- Fan Off; "Low", 0.0V to 0.4V (or closed), unit ON. Source current: 1.6mA maximum at low level Sink current: 1.0 mA maximum at high level.	Must be enabled by DIP switch positions 3 and 4 (see PAR. 3.5).
Operating Temperature:	-10 to 40°C	(see Figure 2.)
Startup Temperature	-10 to -20°C	(see Figure 2.)
Storage Temperature:	-30°C to +75°C	
Withstanding voltage : (at 15-35°C ambient, 10-85% relative humidity)	2000Va-c for 1 minute. Cutout current is 20mA	Between input and ground
	500Va-c for 1 minute. Cutout current is 100mA	Between output and ground
	3000Va-c for 1 minute. Cutout current is 20mA	Between input and output terminal
Insulation Resistance: (at 25°C, 65% relative humidity)	100 Megohms minimum (500Vdc)	Between output and ground, input and ground, and input and output,
Humidity:	10% to 95% relative humidity, noncondensing, Wet Bulb temperature <35°C	operating and non-operating
Vibration:	5-10 Hz., 10mm amplitude, 10-55 Hz., acceleration 64.3ft./s ² (19.6M/s ²) (2g)	non-operating 1 hr. on each of 3 axes, sweep time 10 minutes
Shock:	Acceleration: 643.5ft./s ² (196.1M/s ²) (20g), Pulse Duration: 11ms ± 5 msec	(non-operating, 1/2 sine pulse, three shocks on each axis, Power Supply is fixed on its bottom side)
Safety:	All units designed to meet UL1950, CSA Electrical Bulletin 22.2 No.950-95 (certified by UL), and TÜV Rheinland EN60950 (ambient temp. 50°C max.). Meets creepage and clearance requirements of DEN-AN Appendix A. HSF 600W units are CE marked per the Low Voltage Directive (LVD), 73/23/EEC and 93/68/EEC.	
EMC Emission - Conducted:	Designed to meet FCC Class B, VCCI-Class B, EN55011-B, EN55022-B	
EMC Emission - Radiated:	Designed to meet FCC Class B, VCCI-Class B, EN55011-B, EN55022-B	
EMC Emission - Input harmonics current:	Designed to meet EN61000-3-2	
EMC Immunity	Designed to meet EN50082-2	
EMC Radiated susceptibility:	EN61000-4-3 level 3	normal operation
EMC Conducted susceptibility:	EN61000-4-6 level 3	normal operation
ESD:	EN61000-4-2, level 4	normal operation
Electrical fast transient burst:	EN61000-4-4 level 3	normal operation
Surge withstand:	EN61000-4-5, level 4	No damage
Power Frequency Magnetic Field:	EN61000-4-8, level 4	normal operation
Voltage dips interruptions and variations	EN61000-4-11	normal operation
Dimensions:	5.22 in. (132.5 mm) x 4.288 in. (108.9 mm) x 16.86 in. (428.2 mm) (See Figure 3)	
Mounting:	Plug-in	
Cooling:	Forced air flow - fan	
Frame Material/Cover Material:	Steel	
Weight	9 lbs, 4.1Kgs. maximum	

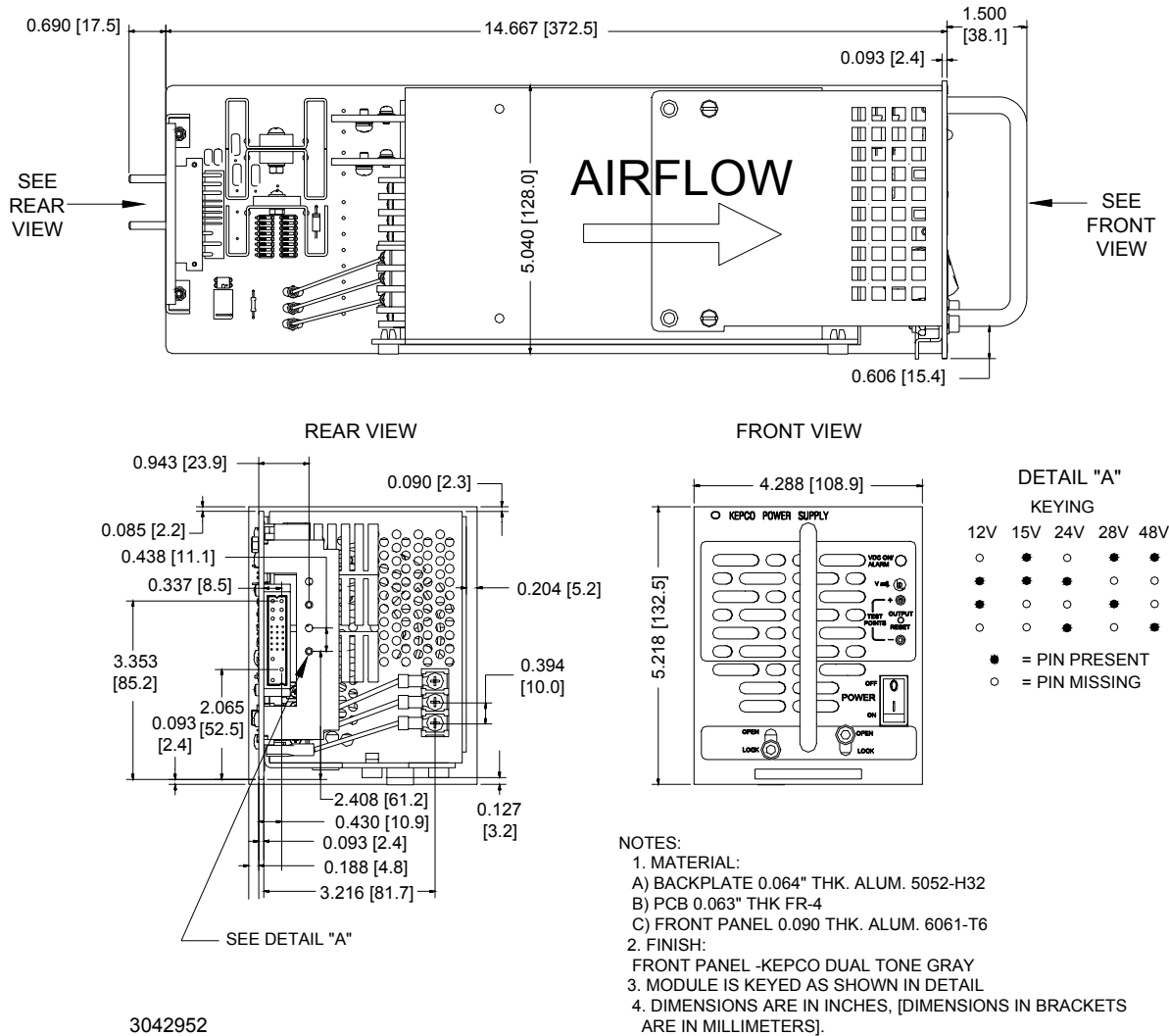


FIGURE 3. MECHANICAL OUTLINE DRAWING OF THE HSF 600W POWER SUPPLY

3. FEATURES

3.1 DIP SWITCH CONFIGURATION

The HSF 600W Series incorporates two DIP switches, SW1 and SW2 (see Figure 4), which must be configured before the unit is installed in the rack adapter. The DIP switches control the following parameters:

- Positions 1 and 2 allow the output to be controlled either by the front panel Vadj control (see PAR. 3.4.1) or by remote control using either an external trimpot or voltage source (see PAR. 3.4.2). These positions can also be configured to allow a master/slave combination to be controlled either by the front panel Vadj control or by remote control using either an external trimpot or voltage source (see PAR 3.4).
- Positions 3 and 4 either allow the front panel reset button to be used to reset the unit after a fault or allow Remote on-off via mechanical switch or logic level (see PAR. 3.5).

- Positions 5 and 6 allows alarm signals to be produced from either internal relay, Form C contacts (one NO, one NC) or open-collector logical alarm signals (see PAR. 3.7.2).
- Position 8 of SW1 either disables (default) or enables the visual alarm indication (see PAR. 3.7.1).

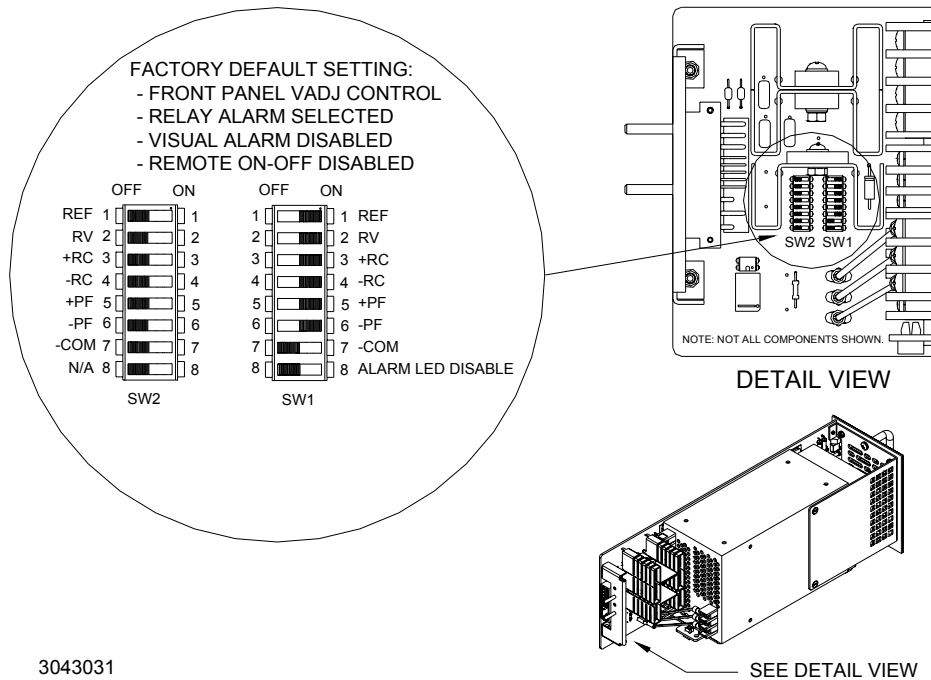


FIGURE 4. DIP SWITCH CONFIGURATION

3.2 FRONT PANEL ACCESS.

The front panel provides a power ON/OFF switch controlling input power and a "VDC ON" indicator which lights green when the unit is operating. If the unit is connected in a parallel configuration, the indicator lights red if the unit shuts off automatically, or the POWER switch is set to OFF.

CAUTION: DO NOT repeatedly toggle the power ON/OFF switch as this may cause unit to fault.

NOTE: The ON/OFF switch must be set to OFF before removing unit from rack adapter.

If remote on-off is not enabled (see PAR. 3.5), the OUTPUT RESET button restores output power in the event that overcurrent or overvoltage protection has tripped, or thermal overload or fan malfunction has occurred.

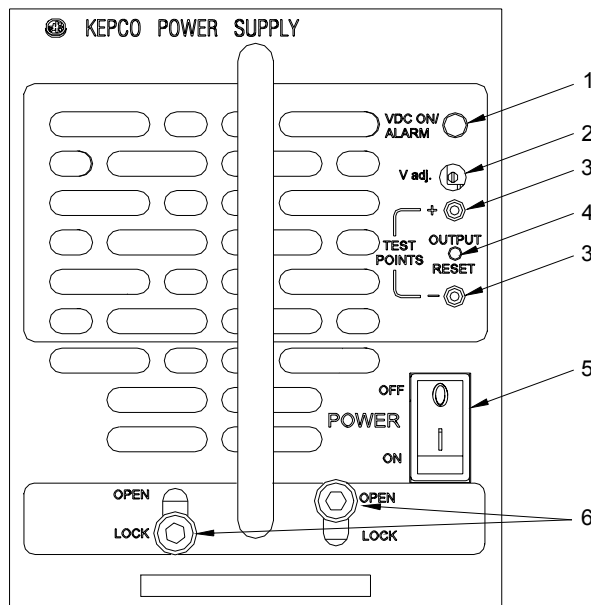
If remote voltage control (see PAR. 3.4.2) is not enabled, the front panel Vadj trimmer (see PAR. 3.4.1) provides adjustment of the output voltage within the limits specified in Table 2; test points are available at the front panel for monitoring the DC output.

Figure 5 shows the location of all operating controls, indicators and test points followed by an explanation of each.

3.3 KEYING

Keying of the HSF 600W is established at the factory. The output voltage determines which key pins are installed (see Figure 3, Detail A). When the proper holes in the rack adapter are blocked by keying screws installed by the user, only a power supply of the correct voltage can be inserted in the rack adapter slot. Refer to the RA 19-4C Manual for rack adapter keying instructions.

3042857



1. VDC ON/ALARM indicator. Lights green when unit is operating. When enabled by DIP switch configuration, lights red to indicate loss of output voltage in parallel configuration only (see PAR. 3.7.1).
2. V.ADJ Output voltage adjustment trimmer : Adjusts output voltage within limits specified in Table 2 (see PAR. 3.4.1). Not functional if remote voltage control is enabled (see PAR. 3.4.2).
3. DC output test points (+, -): Connect to voltmeter to monitor output voltage.
4. OUTPUT RESET switch. Used to recycle power in the event of an alarm condition (see PAR. 3.6). Not functional when remote on/off control is enabled (see PAR. 3.5).
5. POWER ON/OFF switch. Applies power to the unit. **NOTE: Power must be OFF before unit is removed from the rack adapter.**
6. Retaining Latches (2). Prevents inadvertent removal of unit from rack adapter (see PAR. 3.9)

FIGURE 5. FRONT PANEL CONTROLS, INDICATORS AND TEST POINTS

3.4 OUTPUT VOLTAGE CONTROL

Output Voltage can be controlled from either the front panel (PAR. 3.4.1) or externally using a trimpot or voltage source (PAR. 3.4.2).

3.4.1 FRONT PANEL VOLTAGE CONTROL

Output voltage can be manually adjusted with the voltage adjustment control, Vadj (see Figure 5 for location) when DIP switches SW1 and SW2 (see Figure 4 for location) are configured as shown in Figure 6A (factory default) To adjust voltage, first place the unit under an operating load. Then monitor the (+) and (-) test points on the front panel with a precision voltmeter and turn the voltage control to the desired operating value. Refer to Table 2 for the recommended Adjustment Range of all the HSF 600W Models.

3.4.2 REMOTE VOLTAGE CONTROL

For remote voltage control, set positions 1, 2 and 7 as shown in Figure 6B. This removes control from the front panel Vadj control and allows the output voltage to be adjusted by either an external trimmer pot (resistance) or by an external variable voltage source connected across the rack

adapter I/O connector pin 12 (RV, Remote Voltage) and pin 10 (-COM, Common) as shown in Figure 7. At the rack adapter I/O connector use a shielded wire 6.6 feet (2M) maximum in length, for connection of REF (pin 2), RV (pin 12), and -COM (pin 10) to the trimmer control or external voltage source.

NOTE: If remote voltage control is not implemented, the factory default for positions 1, 2 and 7 of DIP switches SW1 and SW2 must be restored (Figure 6A).

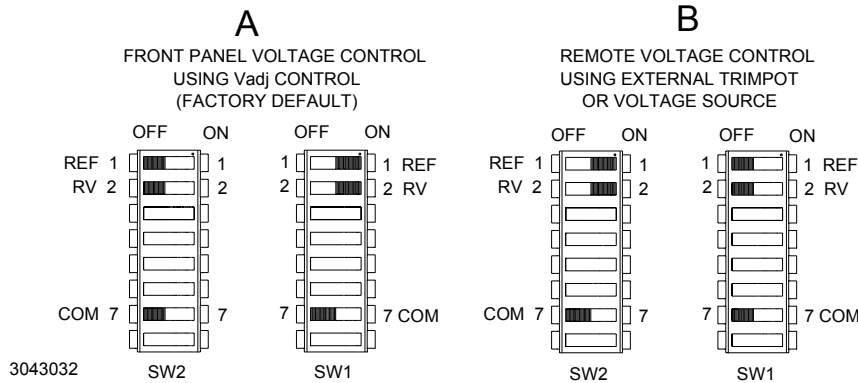


FIGURE 6. DIP SWITCH SETTINGS FOR CONTROL OF OUTPUT VOLTAGE

It is possible that overvoltage protection may be triggered if the output voltage is decreased to a low level very quickly when the power supply is at a low load condition.

RESISTANCE: Connect the external trimmer as shown in Figure 7A. Suggested value for the trimmer control is 5K ohms. Referring to Figure 7 (A), Resistor R is used to obtain minimum output voltage required to ensure proper operation of the alarm relay and LED indicator; see Table 4 for values.

VOLTAGE. By adjusting an external 0 to 6V voltage source (0 to 5.5V for the 48V model), the HSF power supply output voltage can be adjusted as specified in Table 2. To ensure proper operation of the alarm relay and LED indicator do not adjust external voltage below minimum listed in Table 4. Connect the voltage source across the RV and -COM pins as shown in Figure 7B.

TABLE 4. MINIMUM CONDITIONS FOR RELAY AND LED OPERATION

MODEL	HSF 12-53	HSF 15-43	HSF 24-27	HSF 28-23	HSF 48-13
Minimum HSF output voltage required for relay and LED functioning (Volts d-c) ¹	9.0	11.5	17	21.5	35
Minimum resistance of Limit resistor R (Figure 7A) in series with 5K ohm Trimpot to ensure proper operation of LED and relay (Ohms) ¹	9.1K	9.1K	7.5K	9.1K	10K
Minimum external voltage (Figure 7B) to ensure proper operation of LED and relay. (Volts d-c) ¹	3.8	3.8	3.6	3.9	3.4

¹ - If operating below minimums listed, see PAR. 3.7.2.2 to implement ±PF alarm signals to monitor power supply status.

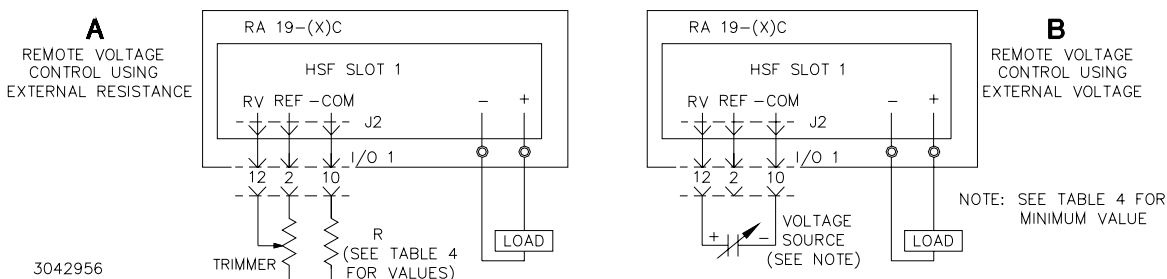


FIGURE 7. CONNECTIONS FOR REMOTE VOLTAGE CONTROL

3.5 REMOTE ON-OFF

When power is ON at the source, the output may be turned ON or OFF using the \pm RC signals if the remote ON-OFF feature is enabled. Note that when remote ON-OFF is enabled, the RESET OUTPUT switch does not function. Remote ON-OFF is enabled by setting DIP switch positions 3 and 4 as shown in Figure 8B. The +RC and -RC signals (at the rack adapter I/O connector, pins 15 and 8, respectively) then turn the unit on or off. These pins accept a logic level (2.4V to 24V "high" and 0.0 to 0.4V "low"), or a contact closure. When the \pm RC pins are open, using either a mechanical switch or a high level logic signal, the HSF 600W output is cut OFF. When the \pm RC pins are shorted, the output returns to within specifications. At low level logic, the maximum source current is 1.6mA and at high level the sink current is 1.0mA. Positions 3 and 4 of both DIP switches must be restored to the factory default setting (Figure 8A) if remote ON-OFF is not used. The \pm RC pins are isolated from DC output pins.

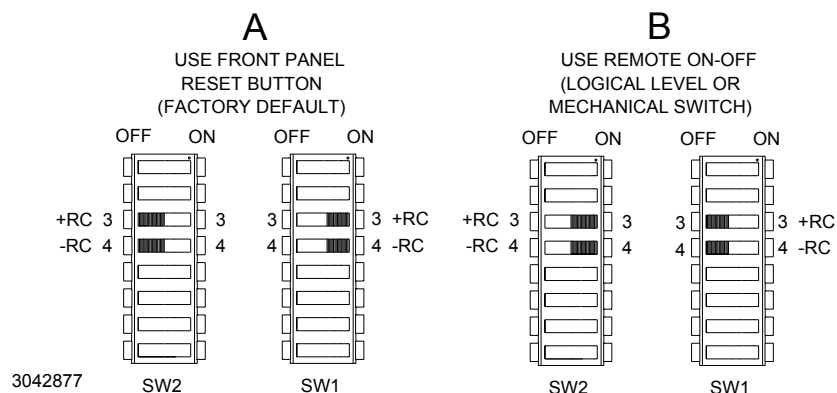


FIGURE 8. DIP SWITCH SETTINGS FOR USING RESET BUTTON OR REMOTE ON-OFF

3.6 PROTECTION CIRCUITS

The following protection features are implemented in the HSF 600W Series: overvoltage and overtemperature (PAR. 3.6.1), overcurrent (PAR. 3.6.2), fan failure (PAR. 3.6.3), and undervoltage (PAR. 3.6.4). The HSF 600W Series provides a configurable visual alarm (see PAR. 3.7.1) as well as an option to use either relay contacts or logic levels for alarm signals (see PAR. 3.7.2)

3.6.1 OVERVOLTAGE AND OVERTEMPERATURE PROTECTION

When the output voltage of the HSF 600W Power Supply increases beyond the specified values (see Table 2), the output is cut OFF and the fan turns OFF. To restart (reset) the unit, press and release the OUTPUT RESET switch on the front panel or, if the remote on/off feature is in use (see PAR. 3.5), open connection between the RC pins and then reconnect the pins. The unit may also be restarted by turning the POWER ON/OFF switch to OFF, waiting 30 seconds, then setting the POWER switch to ON.

When the internal temperature of the HSF (M) 600W Power Supply increases beyond allowable limit, the output is cut OFF and the fans turn OFF. The restart cycle (Power ON) should not begin until the temperature returns to within specifications. To restart (reset) the unit, set the POWER ON/OFF switch to OFF, wait 30 until unit cools, then set the POWER switch to ON. The power supply cannot be reset using the remote ON-OFF feature unless the power supply remains shut down for at least 30 seconds.

3.6.2 OVERCURRENT SETTING AND PROTECTION

The output characteristic of the power supply is a square type, and the unit is set to produce an alarm (see PAR. 3.7.2) and shut down if output current exceeds specifications (see Table 2) for more than 30 seconds. After the cause of overcurrent is removed, the power supply output is automatically restored.

3.6.3 FAN FAILURE

A cutoff of the fan supply voltage causes the output to shut down and the fans to turn OFF. Fan failure and all the other protection circuit operations produce an alarm (see PAR. 3.7.2). To restart (reset) the unit, press and release the OUTPUT RESET switch on the front panel or, if the remote on/off feature is in use (see PAR. 3.5), open the connection between the \pm RC pins and then reconnect the pins. The unit may also be restarted by turning the POWER ON/OFF switch to OFF, waiting 30 seconds, then setting the POWER switch to ON. If fan rotation is out of specification the power supply will not recover.

3.6.4 UNDERVOLTAGE

If the output voltage of the power supply falls below minimum values listed in Table 4, an alarm occurs if the internal relay alarm (factory default, see PAR. 3.7.2.1) is enabled. To restart (reset) the unit, press and release the OUTPUT RESET switch on the front panel or, if the remote on/off feature is in use (see PAR. 3.5), open the connection between the RC pins and then reconnect the pins. The unit may also be restarted by turning the POWER ON/OFF switch to OFF, waiting 30 seconds, then setting the POWER switch to ON. To enable the alarm function when operating below the minimum values listed in Table 4, refer to PAR. 3.7.2.2 to configure the optically-coupled alarm.

3.7 ALARM SETTINGS

3.7.1 VISUAL ALARM.

When the unit is connected in a parallel configuration, the front panel VDC ON/ALARM indicator can be configured to light red if the respective power supply output voltage is lost or if the POWER switch is set to OFF. This is enabled when DIP switch 1, position 8 set to ON. This can be useful to indicate the loss of output voltage from one parallel-connected power supply that may not be readily apparent. The visual alarm is normally disabled: DIP switch SW1, position 8 set to OFF (factory default).

3.7.2 ALARM SIGNALS.

Either of two options are available for signalling alarms: isolated relay contacts (factory default, PAR. 3.7.2.1) or logic level alarm signals \pm PF (PAR. 3.7.2.2). The \pm PF logic level alarm option must be used if the power supply is intended to operate below the minimum voltages listed in Table 4.

3.7.2.1 INTERNAL ISOLATED RELAY ALARM

The first option, the factory default setting, uses an isolated internal relay offering normally closed (NC) and normally open (NO) contacts referenced to an isolated common (AL COM). These contacts may be used to configure "close on failure" or "open on failure" alarm circuits. (Refer to the Series RA 19-4C Manual for alarm configurations for multiple HSF power supplies.) Setting positions 5 and 6 of the DIP switches as shown in Figure 9A selects this option. The NC (pin 6 of the rack adapter I/O connector) and NO (pin 7) signals are referenced to Alarm common (pin 14).

3.7.2.2 OPTICALLY-COUPLED LOGICAL ALARM

The second option uses optically-coupled logic level alarm signals, +PF (pin 5 of the rack adapter I/O connector) and -PF (pin 13), provided directly from the Kepco RKW power supply that is the heart of the HSF. This option is selected by setting positions 5 and 6 of the DIP switches as shown in Figure 9B. Use this option if the power supply will operate below the minimum voltages specified in Table 4.

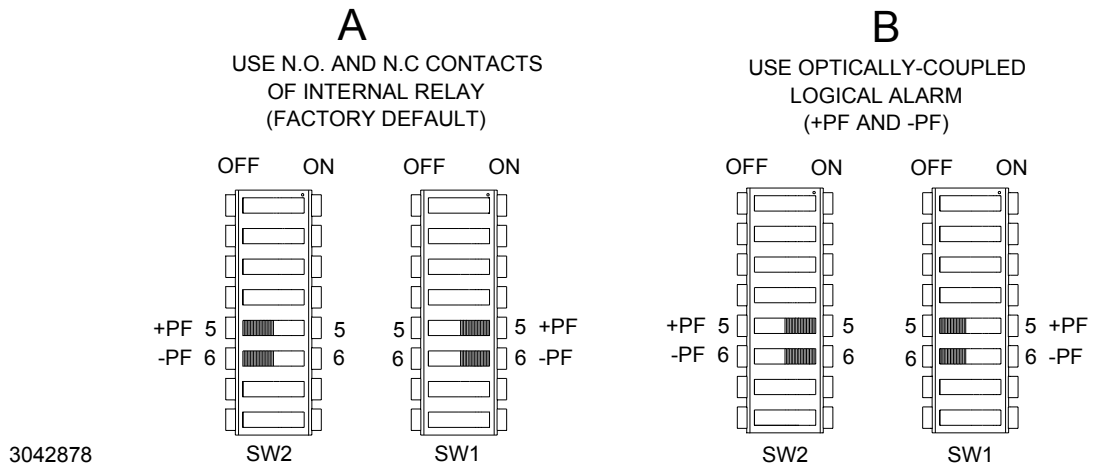


FIGURE 9. DIP SWITCH SETTINGS FOR OPTICALLY COUPLED LOGICAL ALARM

The logic alarm circuit is a diode transistor optical coupler (see Figure 10). The transistor is normally conducting. When the alarm is activated upon detection of power loss, overvoltage, fan fault, overtemperature or overcurrent condition, the transistor cuts off and the collector emitter circuit is open. Figure 11 is a timing diagram of the power fail signal.

The default state of the alarm is logic low. The sink current for the optocoupler is 50mA maximum, the maximum collector to emitter saturation voltage is 0.40 Volts, and the collector to emitter voltage is 40 volts maximum. The PF signals are isolated from the AC input and DC output.

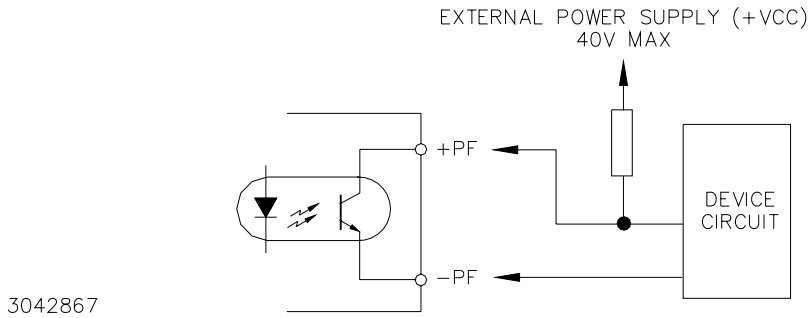


FIGURE 10. OUTPUT ALARM CIRCUIT OPTICALLY ISOLATED

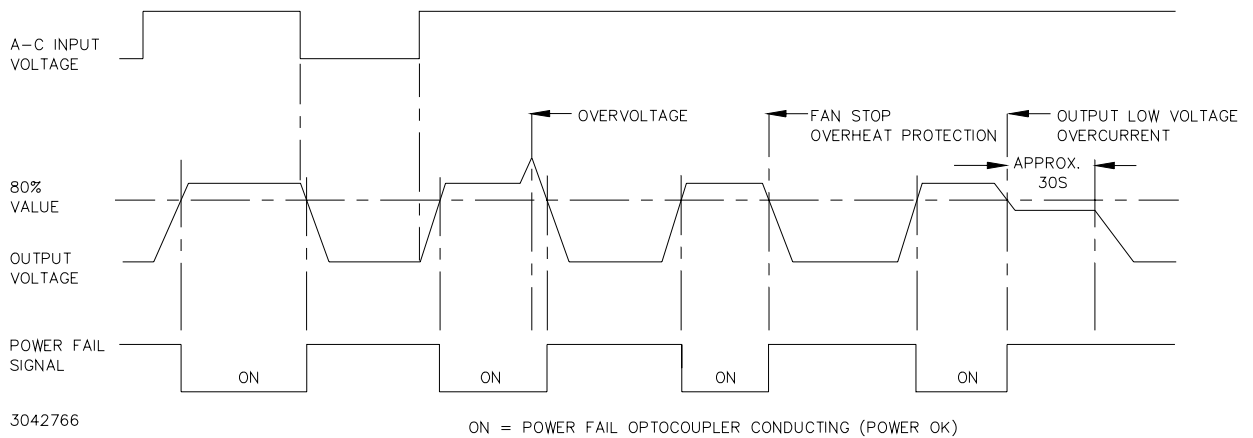


FIGURE 11. ±PF POWER FAILURE OPTOCOUPLER TIMING DIAGRAM

3.8 LOCAL/REMOTE SENSING

HSF 600W Power Supplies allow remote error sensing which can compensate up to 0.4 Volts per load wire. Local/Remote error sensing is configured by means of separate DIP switches mounted on the RA 19-4C Rack Adapter (see RA 19-4C Rack Adapter Operator Manual). Either local or remote sensing MUST be used, otherwise the units will not operate.

3.9 RETAINING LATCHES

HSF 600W series power supplies are provided with (2) retention latches located at each side of the bottom edge of the front panel (see Figure 5). These latches work in conjunction with the RA 19-4C rack adapters to prevent unauthorized or inadvertent module extraction from an operating power system. The latch is engaged by loosening the cap-head screw approximately 1/2 turn CCW (use 5/32" hex key) and sliding the latch down to the bottom of the slot, then retightening the cap-head screw CW until snug. DO NOT OVERTIGHTEN! To release, follow the same procedure, except lift the latch to the top of the slot. Be sure to move the latch completely up or down to ensure full engagement and disengagement of the latching mechanism. When the HSF power supply is not installed in its plug-in rack adapter, it is recommended that the latch be secured in the open (up) position to prevent damage.

NOTE: Retaining latches must *not* be used to secure the HSF power supply in the rack adapter for shipping purposes.

4. LOAD CONNECTION

Connect the load to (+) and (-) terminals at the rear panel of the Rack Adapter (see RA 19-4C Instruction Manual for details).

5. CONNECTING MULTIPLE POWER SUPPLIES

All connections to multiple HSF power supplies must be made via the I/O mating connectors at rear of the Rack Adapter or by the Rack Adapter DIP switches. These connections, including the configuration of the two internal HSF DIP switches, are described in the Rack Adapter Instruction manual, and include:

- Using one power supply to control the output of multiple supplies.
- Using parallel master/slave configurations (for increased current or redundancy) where the user either predetermines the master or allows the load to determine which is the master. These configuration also cover the use of the Current Balancing feature of the HSF power supply.
- Using series configurations (for increased voltage).
- Using open-on-fail or close-on-fail alarm schemes with multiple power supplies.

You must register your product to comply with the terms of the warranty. Either fill out the form below and mail or fax to Kepco, or for rapid on-line registration go to:

<http://www.kepcopower.com/warranty.htm>

PRODUCT PURCHASED:

Model Number) _____

Serial Number _____

PURCHASE INFORMATION:

Date Purchased: _____

Date Received: _____

REQUEST ADDITIONAL INFORMATION

Send complete Catalog

Have Sales Engineer Call

Contact via: E-Mail Telephone Fax S-mail

REGISTER TO:

Registered by: _____

Company Name: _____

Street: _____

City: _____

State: _____

Country: _____

Zip: _____

E-mail: _____

FAX: _____

Phone: _____

WHAT INFLUENCED YOUR CHOICE OF THIS POWER SUPPLY?

Previous Experience (which Kepco Models do you have?)

Magazines (which ones?) _____

Trade Shows (which ones?) _____

Directory? _____

Kepco Catalog or Brochure? _____

Sales Representative?

Web Site

Other (please explain): _____

What products would you like to see Kepco make?

CUT HERE

Kepco 5 Year Warranty

This is to certify that we, KEPCO, INC., (hereinafter called "Company"), Flushing, NY 11355 USA, warrants for a period of FIVE YEARS, this instrument known as:

MODEL: _____

SERIAL NO. _____

The Company's products are warranted for a period of five years from date of delivery to be free from defects in materials and workmanship and to conform to the specifications furnished or approved by the Company. Liability under this warranty shall be limited to the repair or replacement of any defective product at Company's option.

If any defect within this warranty appears within the warranty period, the Purchaser shall promptly notify the Company in writing. No material will be accepted for repair or replacement without written authorization of the Company.

Upon such authorization, and in accordance with instructions of the Company, parts or materials for which replacement is requested shall be returned to the Company for examination, with shipping charges prepaid by the Purchaser. Final determination as to whether a product is actually defective rests with the Company.

This warranty does not extend to any product which has been subjected to misuse, neglect, accident, improper installation, or use in violation of instructions furnished by the Company. The warranty does not extend to, or apply to, any unit which has been repaired or altered outside of the Company's factory by persons not expressly approved by the Company.

THE WARRANTY HEREIN CONTAINED IS IN LIEU OF AND EXCLUDES ALL OTHER WARRANTIES, EXPRESS, IMPLIED OR STATUTORY, INCLUDING WITHOUT LIMITATION THE WARRANTY OF MERCHANTABILITY.

THIS KEPCO PRODUCT IS WARRANTED FOR FIVE YEARS!

KEPCO, INC. • 131-38 SANFORD AVENUE, FLUSHING,
NY 11355 USA • Tel. 718-461-7000 • Fax. 718-767-1102
E-mail: hq@kepcopower.com • URL: <http://www.kepcopower.com>



FOLD HERE

Please
place
stamp
here

KEPCO, INC.

131-38 SANFORD AVE.
FLUSHING, NY 11355 USA

CUT HERE